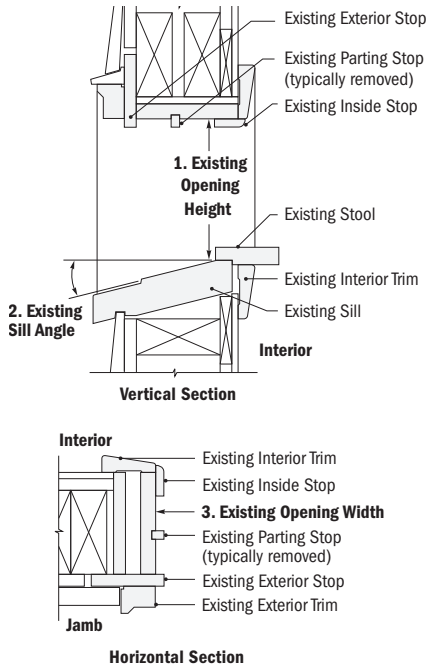


400 SERIES TILT-WASH DOUBLE-HUNG INSERT WINDOWS

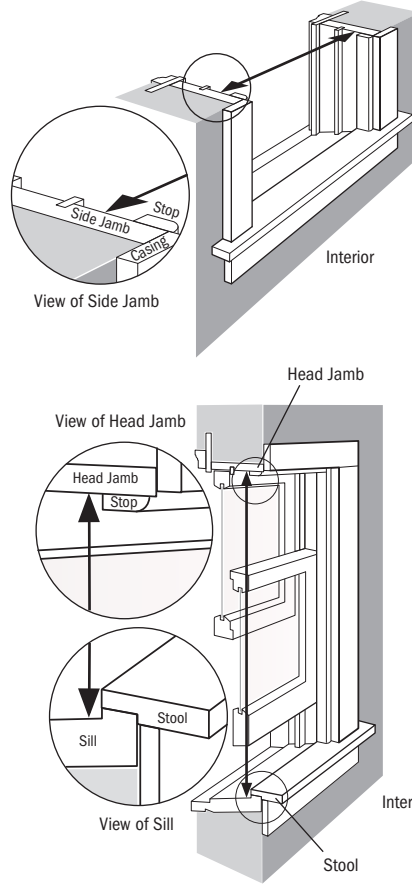
Existing Window Measurements

Required measurements:

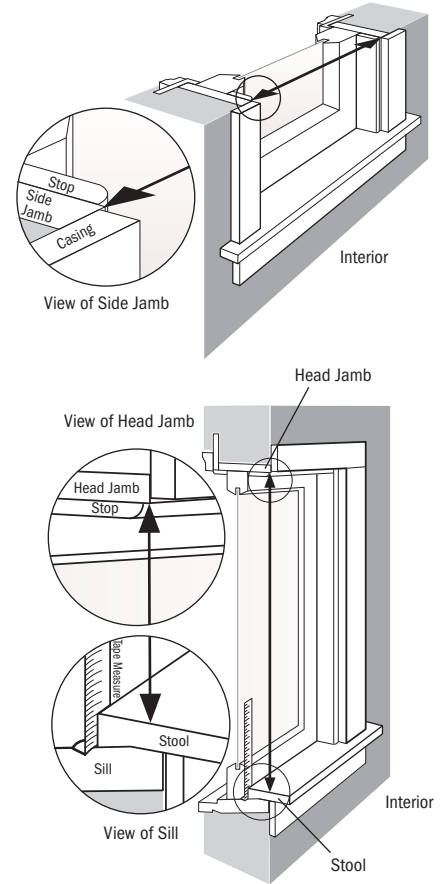
1. Existing Opening Height
2. Existing Sill Angle
3. Existing Opening Width



Existing Double-Hung Window



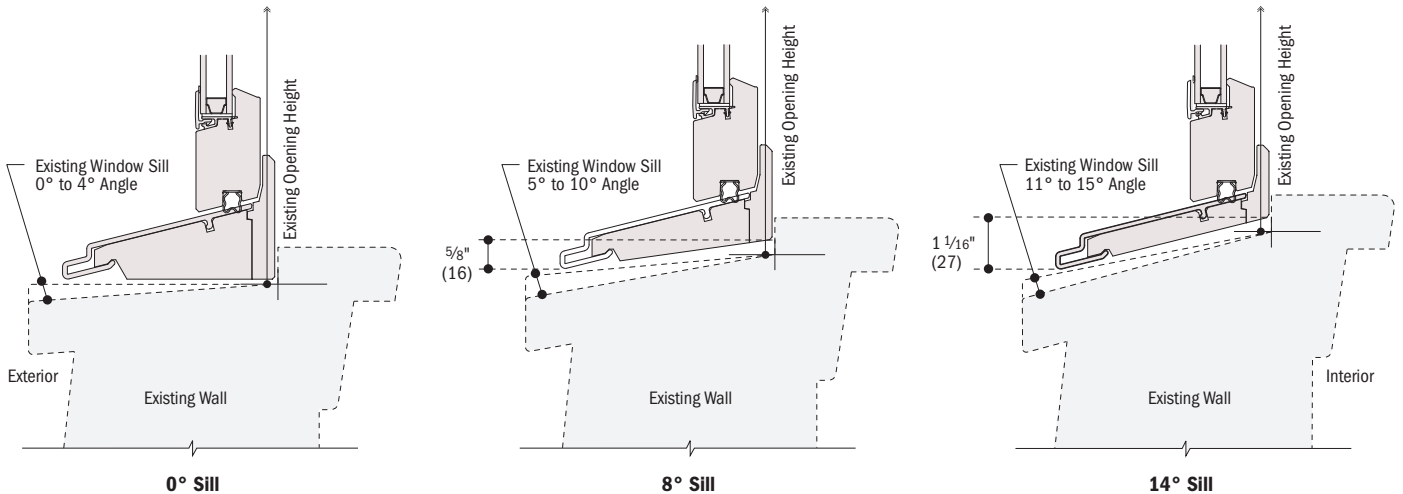
Existing Picture Window



Sill Angle Details

Scale 3" (76) = 1'-0" (305) – 1:4

Select a sill angle that most closely matches your existing sill angle.
 Windows with a smaller sill angle will have a larger maximum height.
 A "Sill Angle Finder App" is available.



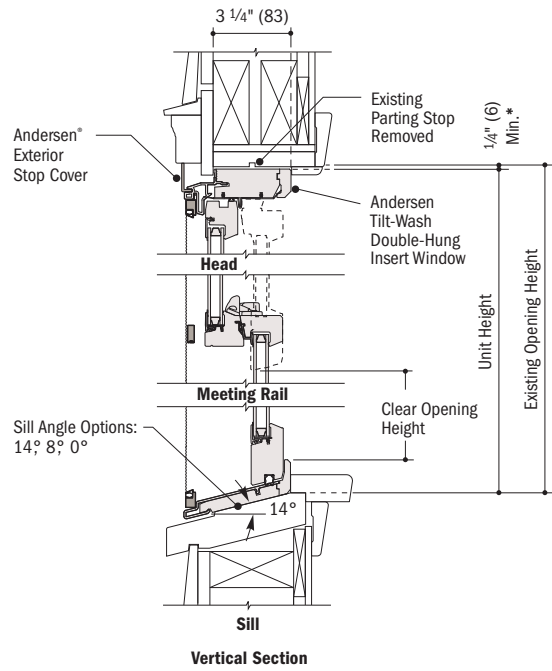
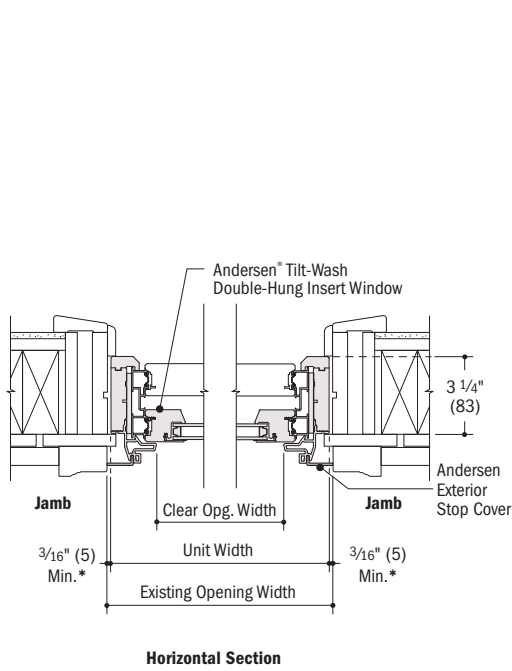
• Details are for illustration only and are not intended to represent product installation methods or materials. Refer to product installation guides at andersenwindows.com.
 • Dimensions in parentheses are in millimeters.
 • Refer to andersenwindows.com/measure for detailed instructions on how to properly measure for insert windows.

400 SERIES TILT-WASH DOUBLE-HUNG INSERT WINDOWS



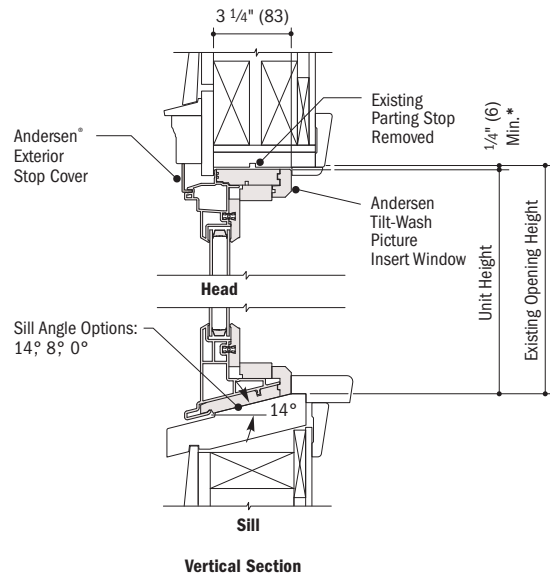
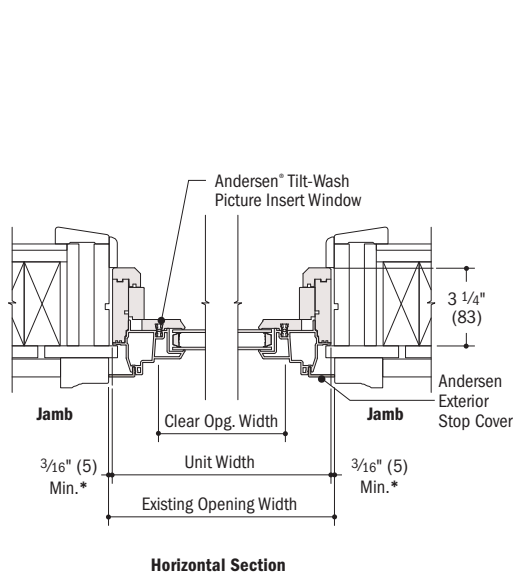
Tilt-Wash Double-Hung Insert Window Details

Scale 1 1/2" (38) = 1'-0" (305) – 1:8



Tilt-Wash Picture Insert Window Details

Scale 1 1/2" (38) = 1'-0" (305) – 1:8



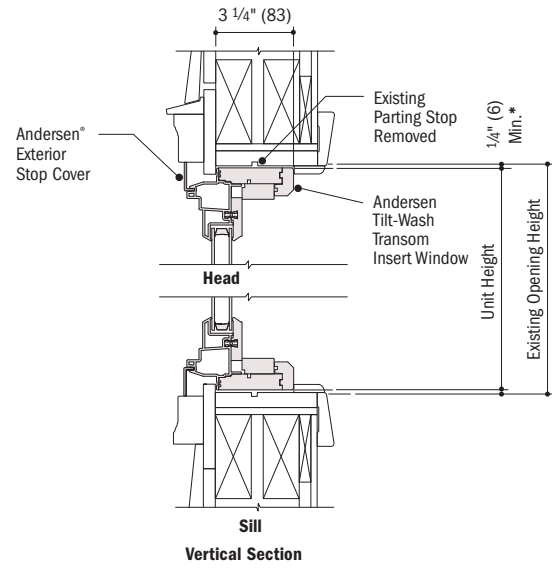
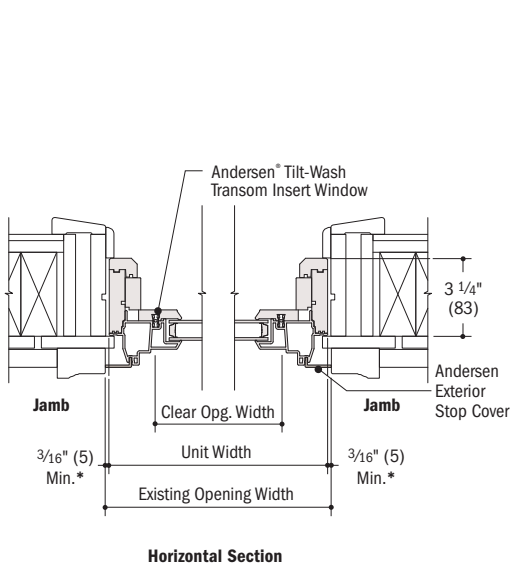
* Light-colored areas are parts included with window. Dark-colored areas are additional Andersen® parts required to complete window assembly as shown.
 * Details are for illustration only and are not intended to represent product installation methods or materials. Refer to product installation guides at andersenwindows.com.
 * Dimensions in parentheses are in millimeters.
 * Refer to andersenwindows.com/measure for detailed instructions on how to properly measure for insert windows.

400 SERIES TILT-WASH DOUBLE-HUNG INSERT WINDOWS



Tilt-Wash Transom Insert Window Details

Scale 1 1/2" (38) = 1'-0" (305) – 1:8



• Light-colored areas are parts included with window. Dark-colored areas are additional Andersen® parts required to complete window assembly as shown.
 • Details are for illustration only and are not intended to represent product installation methods or materials. Refer to product installation guides at andersenwindows.com.
 • Dimensions in parentheses are in millimeters.
 • Refer to andersenwindows.com/measure for detailed instructions on how to properly measure for insert windows.