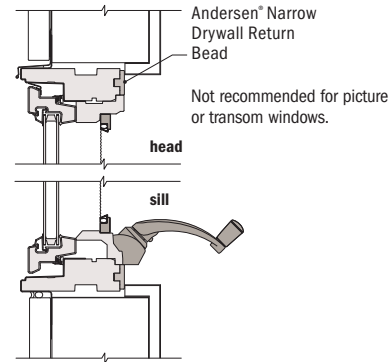
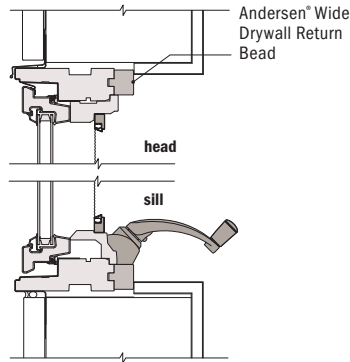
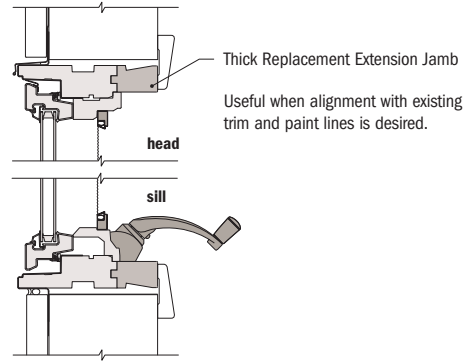
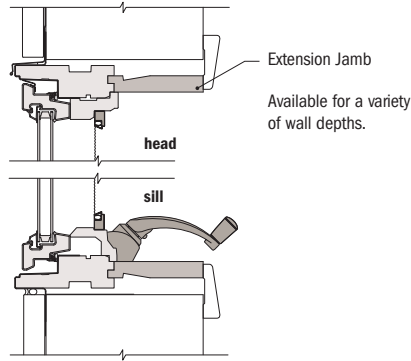


400 SERIES CASEMENT & AWNING WINDOWS



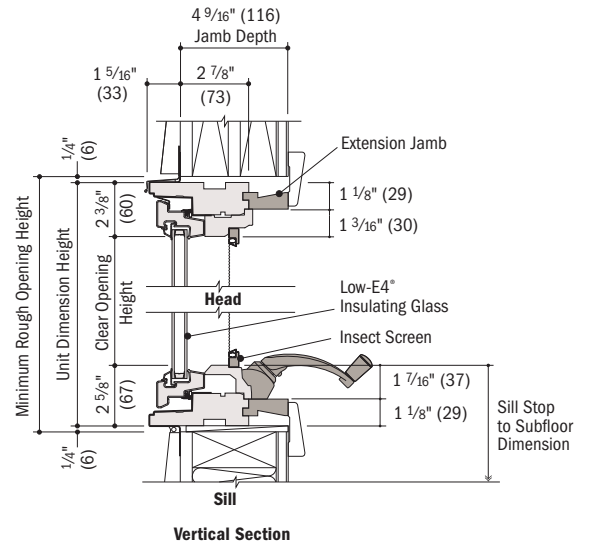
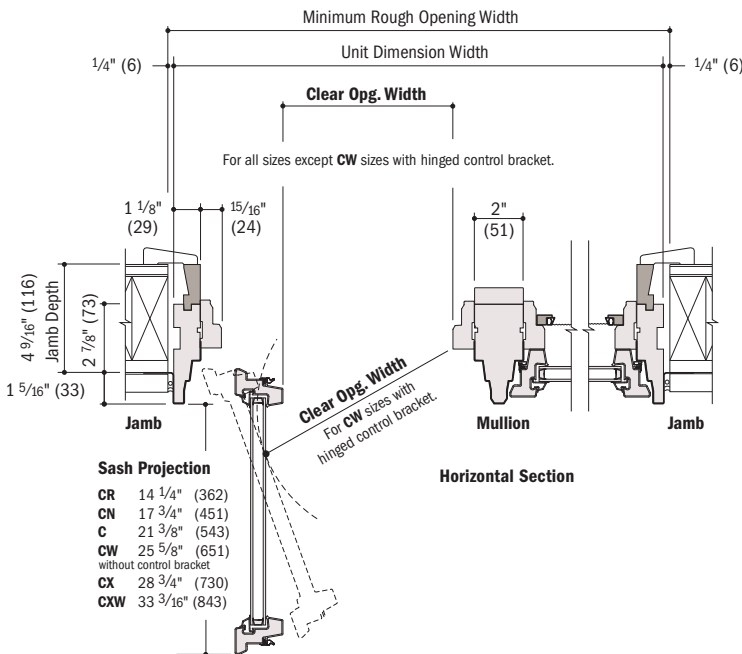
Interior Trim Options

Extension jamb and drywall return bead applications shown.



Casement Window Details

Scale 1 1/2" (38) = 1'-0" (305) – 1:8



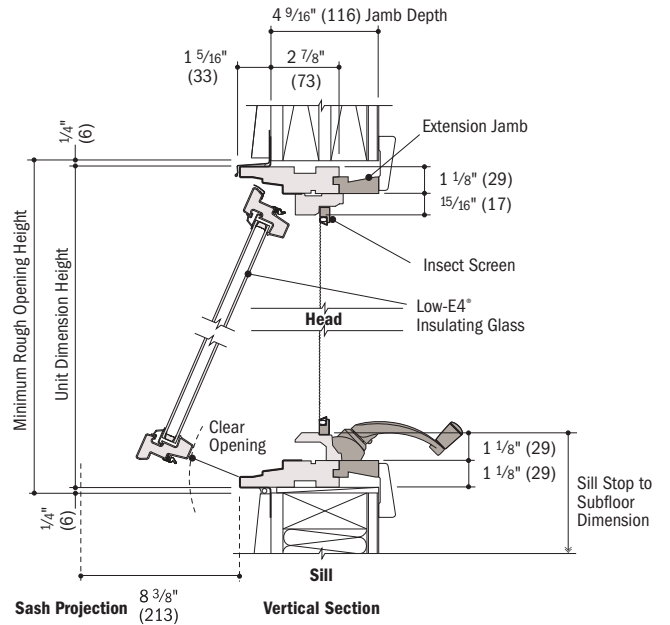
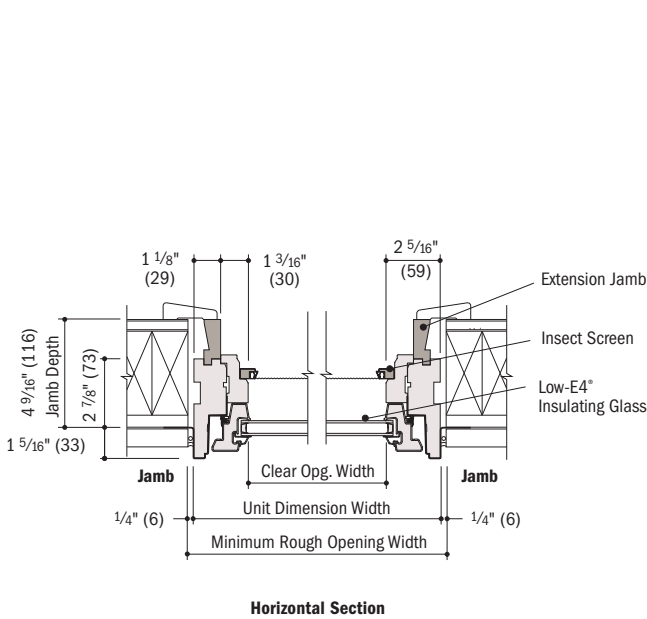
* Light-colored areas are parts included with window. Dark-colored areas are additional Andersen® parts required to complete window assembly as shown.
 * Dimensions in parentheses are in millimeters.
 * Details are for illustration only and are not intended to represent product installation methods or materials. Refer to product installation guides at andersenwindows.com.

400 SERIES CASEMENT & AWNING WINDOWS



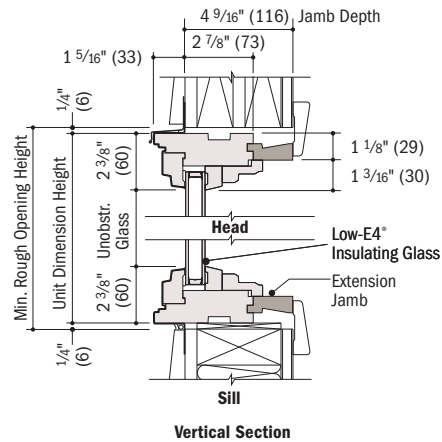
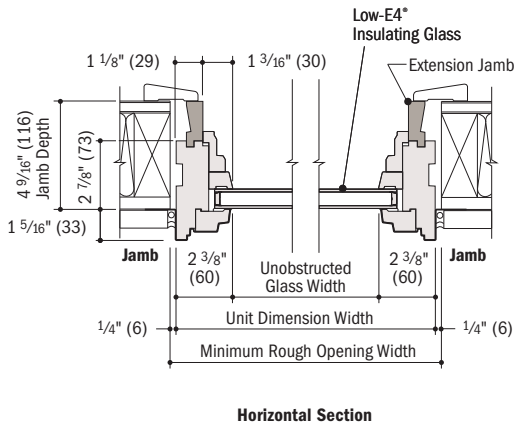
Awning Window Details

Scale 1 1/2" (38) = 1'-0" (305) – 1:8



Picture and Transom Window Details

Scale 1 1/2" (38) = 1'-0" (305) – 1:8



- 4 9/16" (116) overall jamb depth and 2 7/8" (73) base jamb depth measurement is from back side of installation flange.
- Light-colored areas are parts included with window. Dark-colored areas are additional Andersen® parts required to complete window assembly as shown.
- Dimensions in parentheses are in millimeters.
- **Minimum rough openings may need to be increased to allow for use of building wraps, flashing, sill panning, brackets, fasteners or other items.**
- Details are for illustration only and are not intended to represent product installation methods or materials. Refer to product installation guides at andersenwindows.com.